

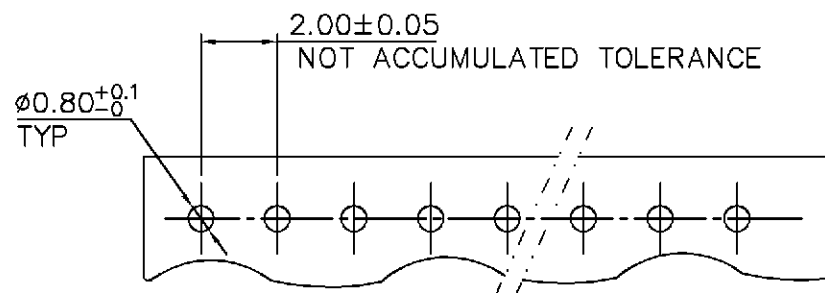
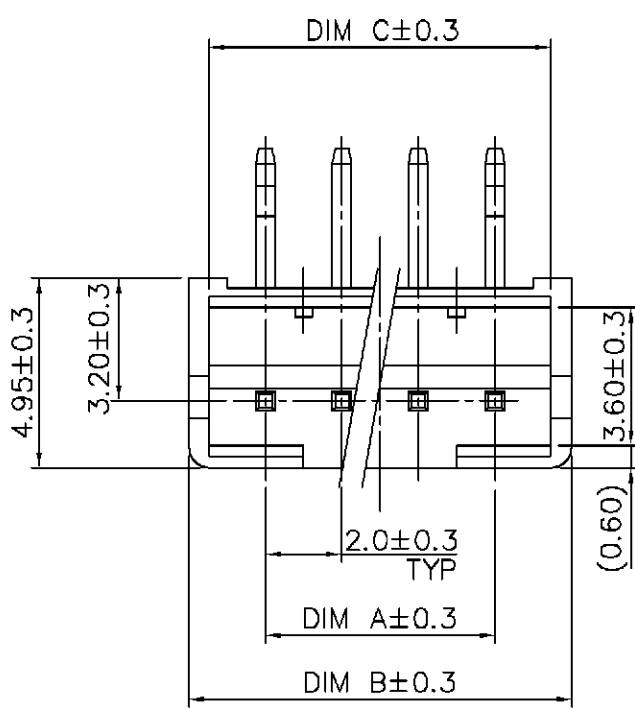
NUMBER
C-440055



METRIC

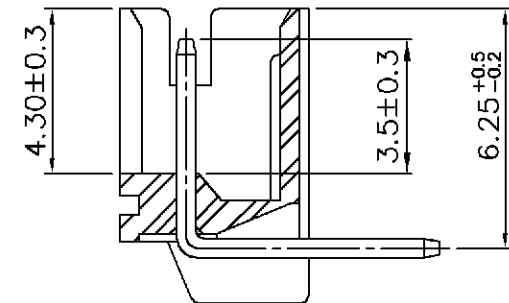
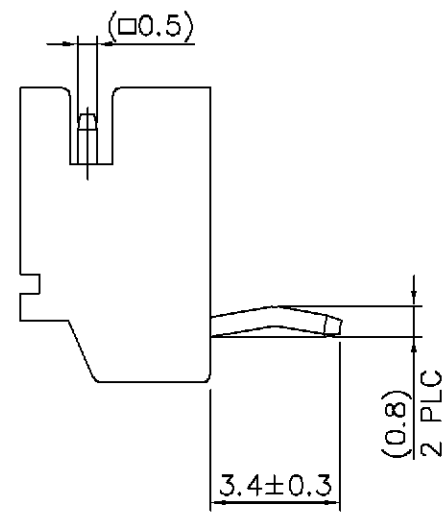
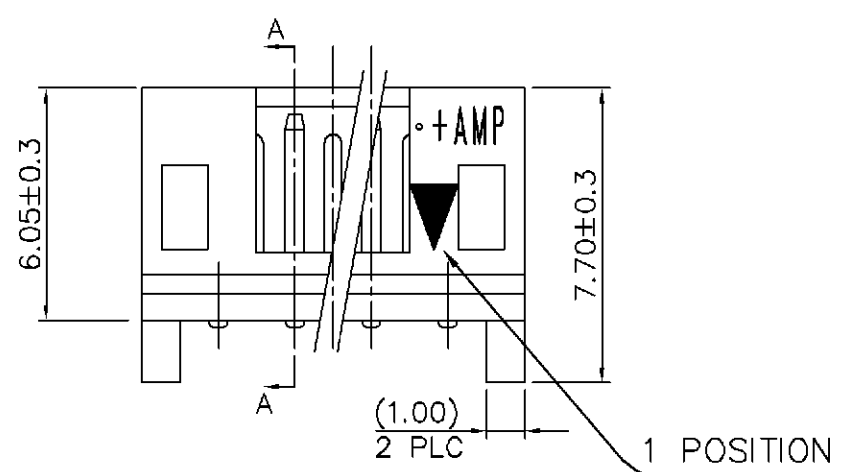
THIS INFORMATION IS CONFIDENTIAL AND IS DISCLOSED TO YOU ON CONDITION THAT NO FURTHER DISCLOSURE IS MADE BY YOU TO OTHER THAN AMP PERSONNEL WITHOUT WRITTEN AUTHORIZATION FROM AMP (TAIWAN) LTD. DIMENSIONS IN MILLIMETERS. DO NOT SCALE PRINT.

PRINT DIST
DW

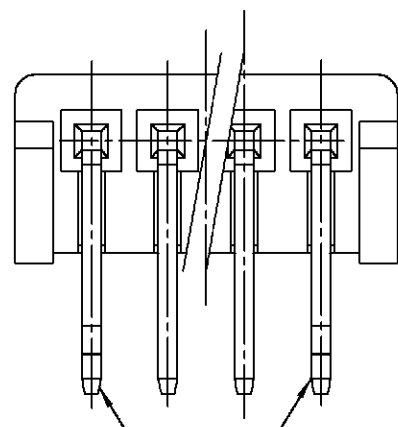


RECOMMENDED PCB LAYOUT
(PCB THK=1.0~1.6)

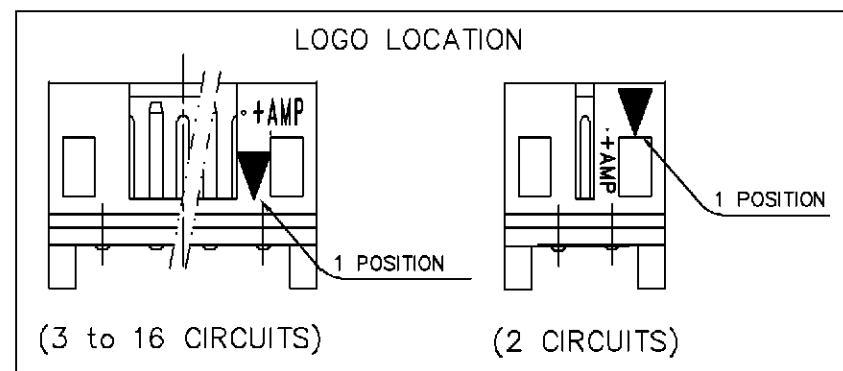
- NOTE:
- MATERIAL : HOUSING : THERMOPLASTIC UL94V-0, COLOR: SEE TABLE. CONTACT : BRASS, THICKNESS=0.50mm.
 - FINISH: CONTACT : 80u" MIN. TIN PLATED OVER ALL.



SECTION A-A



KINKING FORMING
2 PLC



COLOR	DIM C	DIM B	DIM A	POS.	PART NUMBER
RED	10.90	12.00	8.00	5P	8-440055-5
	8.90	10.00	6.00	4P	8-440055-4
	6.90	8.00	4.00	3P	8-440055-3
	4.90	6.00	2.00	2P	8-440055-2
BLACK	10.90	12.00	8.00	5P	6-440055-5
	8.90	10.00	6.00	4P	6-440055-4
	6.90	8.00	4.00	3P	6-440055-3
	4.90	6.00	2.00	2P	6-440055-2
YELLOW	24.90	26.00	22.00	12P	5-440055-2
	22.90	24.00	20.00	11P	5-440055-1
	20.90	22.00	18.00	10P	5-440055-0
	18.90	20.00	16.00	9P	4-440055-9
	16.90	18.00	14.00	8P	4-440055-8
	14.90	16.00	12.00	7P	4-440055-7
	12.90	14.00	10.00	6P	4-440055-6
	10.90	12.00	8.00	5P	4-440055-5
BLUE	8.90	10.00	6.00	4P	4-440055-4
	6.90	8.00	4.00	3P	4-440055-3
	4.90	6.00	2.00	2P	4-440055-2
	NATURAL WHITE	10.90	12.00	8.00	5P
8.90		10.00	6.00	4P	2-440055-4
6.90		8.00	4.00	3P	2-440055-3
4.90		6.00	2.00	2P	2-440055-2
32.90		34.00	30.00	16P	1-440055-6
30.90		32.00	28.00	15P	1-440055-5
28.90		30.00	26.00	14P	1-440055-4
26.90		28.00	24.00	13P	1-440055-3
24.90		26.00	22.00	12P	1-440055-2
22.90		24.00	20.00	11P	1-440055-1
NATURAL WHITE	20.90	22.00	18.00	10P	1-440055-0
	18.90	20.00	16.00	9P	440055-9
	16.90	18.00	14.00	8P	440055-8
	14.90	16.00	12.00	7P	440055-7
	12.90	14.00	10.00	6P	440055-6
	10.90	12.00	8.00	5P	440055-5
	8.90	10.00	6.00	4P	440055-4
	6.90	8.00	4.00	3P	440055-3
4.90	6.00	2.00	2P	440055-2	

TOLERANCES UNLESS OTHERWISE SPECIFIED: 0 PLC ±0.30 1 PLC ±0.25 2 PLC ±0.20 3 PLC ±0.15 ANGLES ±	DWN O. HU 09-JUN-2003	TYCO HOLDINGS (BERMUDA) VII LTD. TAIWAN BRANCH		
MATERIAL SEE NOTE	CHK A. WU 09-JUN-2003	NAME 2.0 MM PITCH HPI, RIGHT-ANGLE POST HEADERS		
FINISH SEE NOTE	APVD J. CHENG 09-JUN-2003	PRODUCT SPEC 108-57100	APPLICATION SPEC -	WEIGHT
B ADD PART NUMBERS FZ00-0127-03 OH AW 13-JUN 2003	A ADD PACKAGE DRAWING FZ00-0203-02 OH JC 20SEP 2002	LTR REVISION RECORD ECN	DWN CHK DATE	LOC DW A ₃ C-440055 REV B
		SCALE		SHEET 1 OF 2

B	ADD PART NUMBERS	FZ00-0127-03	OH AW	13-JUN 2003
A	ADD PACKAGE DRAWING	FZ00-0203-02	OH JC	20SEP 2002
LTR	REVISION RECORD	ECN	DWN CHK	DATE

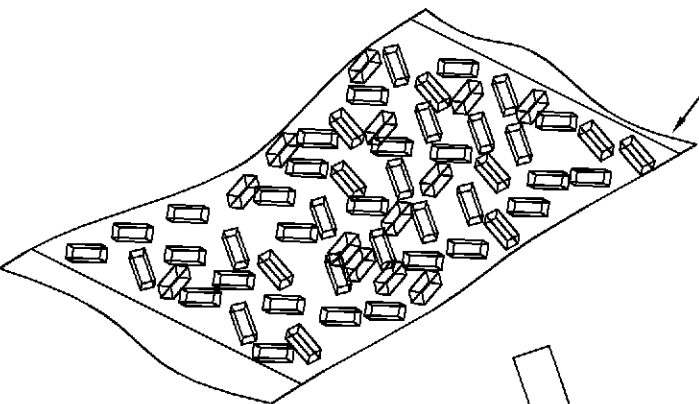
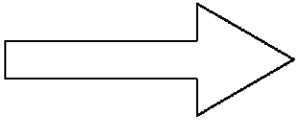
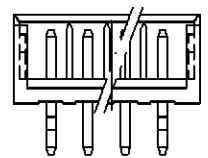
NUMBER
C-440055

3RD ANGLE PROJECTION

METRIC

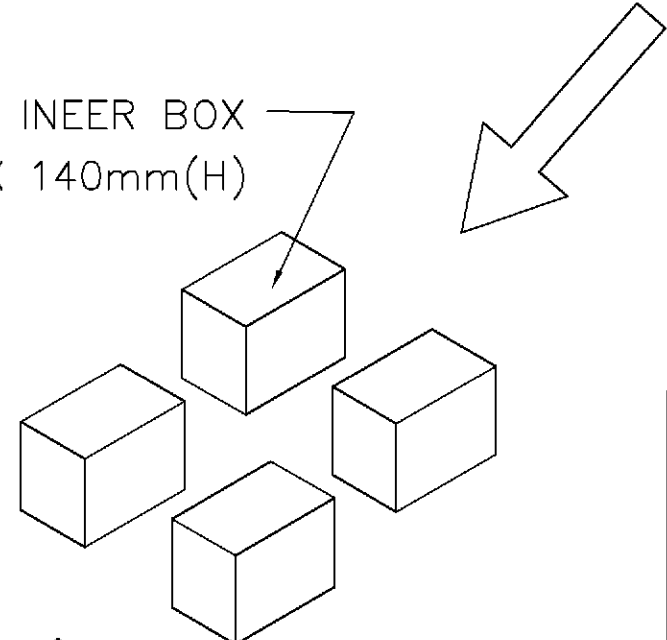
THIS INFORMATION IS CONFIDENTIAL AND IS DISCLOSED TO YOU ON CONDITION THAT NO FURTHER DISCLOSURE IS MADE BY YOU TO OTHER THAN AMP PERSONNEL WITHOUT WRITTEN AUTHORIZATION FROM AMP (TAIWAN) LTD. DIMENSIONS IN MILLIMETERS. DO NOT SCALE PRINT.

PRINT DIST
DW

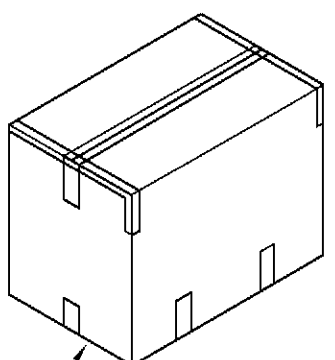
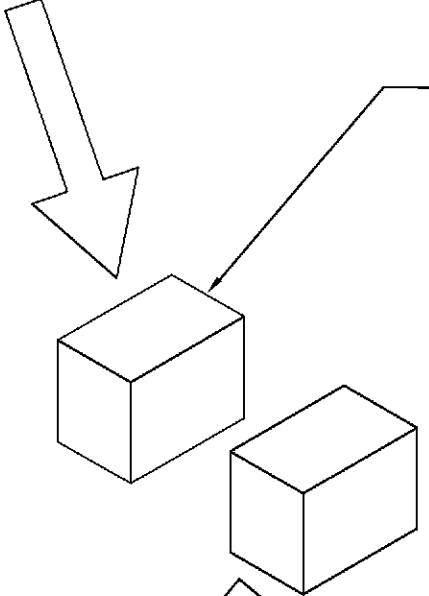


POLY BAG
127mm(L)X 203mm(W)X 0.07mm(H)

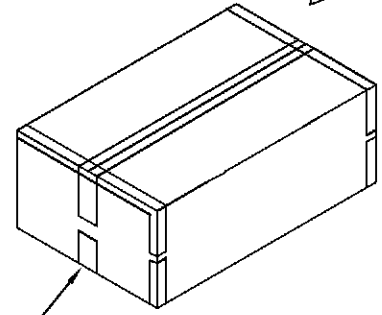
INEER BOX
320mm(L)X 220mm(W)X 140mm(H)



INEER BOX
320mm(L)X 220mm(W)X 140mm(H)



CARTON
340mm(L)X 470mm(W)X 316mm(H)
(FOR HEADER 6P~16P ONLY)



CARTON
340mm(L)X 470mm(W)X 168mm(H)
(FOR HEADER 2P~5P ONLY)

14,400	450	5P	8-440055-5
17,600	550	4P	8-440055-4
24,000	1,000	3P	8-440055-3
32,000	1,000	2P	8-440055-2
14,400	450	5P	6-440055-5
17,600	550	4P	6-440055-4
24,000	1,000	3P	6-440055-3
32,000	1,000	2P	6-440055-2
12,800	200	12P	5-440055-2
14,000	250	11P	5-440055-1
14,000	250	10P	5-440055-0
16,800	300	9P	4-440055-9
19,200	300	8P	4-440055-8
22,400	350	7P	4-440055-7
25,600	400	6P	4-440055-6
14,400	450	5P	4-440055-5
17,600	550	4P	4-440055-4
24,000	1,000	3P	4-440055-3
32,000	1,000	2P	4-440055-2
14,400	450	5P	2-440055-5
17,600	550	4P	2-440055-4
24,000	1,000	3P	2-440055-3
32,000	1,000	2P	2-440055-2
10,080	180	16P	1-440055-6
10,800	180	15P	1-440054-5
10,400	200	14P	1-440055-4
9,600	200	13P	1-440055-3
12,800	200	12P	1-440055-2
14,000	250	11P	1-440055-1
14,000	250	10P	1-440055-0
16,800	300	9P	440055-9
19,200	300	8P	440055-8
22,400	350	7P	440055-7
25,600	400	6P	440055-6
14,400	450	5P	440054-5
17,600	550	4P	440055-4
24,000	1,000	3P	440055-3
32,000	1,000	2P	440055-2
APQ	PPQ	POS.	PART NUMBER
(PCS/CARTON)	(PCS/BAG)		

TOLERANCES UNLESS OTHERWISE SPECIFIED: 0 PLC ± 1 PLC ± 2 PLC ± 3 PLC ± ANGLES ±	DWN	O. HU	TYCO HOLDINGS (BERMUDA) VII LTD. TAIWAN BRANCH
		09-JUN-2003	
MATERIAL SEE SHEET 1.	CHK	A. WU	NAME 2.0 MM PITCH HPI, RIGHT-ANGLE POST HEADERS
		09-JUN-2003	
FINISH SEE SHEET 1.	APVD	J. CHENG	LOC SIZE DRAWING NO REV DW A ₃ C-440055 B
		09-JUN-2003	
	PRODUCT SPEC	108-57100	SCALE SHEET -- 2 OF 2
	APPLICATION SPEC	-	
	WEIGHT		

LTR	REVISION RECORD	ECN	DWN	CHK	DATE
	SEE SHEET 1.				